

cecotec

THERMOSENSE 370 CLEAR

Hervidor de agua/Kettle



Manual de instrucciones
Instruction manual
Manuel d'instructions
Bedienungsanleitung
Manuale di istruzioni
Manual de instruções
Handleiding
Instrukcja obsługi
Návod k použití

1. PARTS AND COMPONENTS

Fig. 1

1. Jar
2. Base
3. Cable
4. Anti-calc filter
5. Tea filter

2. BEFORE USE

- Before using the product for the first time, boil water twice without cleaning agents and then throw water away.
- The kettle should always be unplugged when filling or adding water.
- Fill the kettle with water to the desired level. Do not exceed the max. mark. Use the water level indicator. You can fill it via the spout or opening the lid.
- Warning: Do not forget to close the lid properly after filling the kettle with water, otherwise it will not stop automatically after operating.
- Do not fill it with less than 0.5L of water. Always from the MIN. mark to prevent the kettle running dry while operating.
- Do not fill it over 1.7L of water. Do not exceed the MAX. indicator.
- An automatic safety system has been installed for protection against overheating.
- It will be efficient if the kettle is switched on with insufficient water. If the safety system activates, disconnect the kettle from the power outlet and allow the kettle to cool down for 5 or 10 minutes. Refill it and it will work normally.
- After boiling the machine switches off automatically.
- Disconnect the kettle from the power supply.
- Do not open the lid when pouring.
- If the kettle is overfilled, boiling water may be ejected.

3. OPERATION

1. Place the jar on the base.
2. Press the switch on the handle, a light will turn on and the product will start operating.
3. While water is boiling, the indicator light will turn off and beep. The product will turn off automatically.
4. Unplug the product from the power outlet when you have finished using it.

4. CLEANING AND MAINTENANCE

- Always disconnect the plug from the mains supply before cleaning the machine.
- The exterior of the jar can be cleaned with a slightly dampened cloth.
- Do not use abrasive scouring pads or powders.
- Never immerse the kettle in water or other liquids.
- The calc filter can be removed for cleaning when the water cools down.
- In case the water used has caused minerals to build up, such as calc, it is suggested to fill half the kettle with water and lemon juice and boil it. If impurities are still left after this, repeat the process. Allow it to cool down before emptying and rinsing it.

5. TECHNICAL SPECIFICATIONS

Reference number: 01511

Model: ThermoSense 370 Clear

1850-2200 W, 220-240 V, 50/60 Hz

Maximum capacity: 1.7L

Made in China | Designed in Spain

6. DISPOSAL OF OLD ELECTRICAL APPLIANCES



The European directive 2012/19/EU on Waste Electrical and Electronic Equipment (WEEE), specifies that old household electrical appliances must not be disposed of with the normal unsorted municipal waste. Old appliances must be collected separately, in order to optimise the recovery and recycling of the materials they contain and reduce the impact on human health and the environment.

The crossed out "wheeled bin" symbol on the product reminds you of your obligation to dispose of the appliance correctly.

Consumers must contact their local authorities or retailer for information concerning the correct disposal of old appliances and/or their batteries.

7. TECHNICAL SUPPORT AND WARRANTY

This product is under warranty for 2 years from the date of purchase, as long as the proof of purchase is submitted, the product is in perfect physical condition, and it has been given proper use, as explained in this instruction manual.

The warranty will not cover the following situations:

The product has been used for purposes other than those intended for it, misused, beaten, exposed to moisture, immersed in liquid or corrosive substances, as well as any other fault attributable to the customer.

The product has been disassembled, modified, or repaired by persons, not authorised by the official Technical Support Service of Cecotec.

Faults deriving from the normal wear and tear of its parts, due to use.

The warranty service covers every manufacturing defects of your appliance for 2 years, based on current legislation, except consumable parts. In the event of misuse, the warranty will not apply.

If at any moment you detect any problem with your product or have any doubt, do not hesitate to contact Cecotec Technical Support Service at +34 963 210 728.

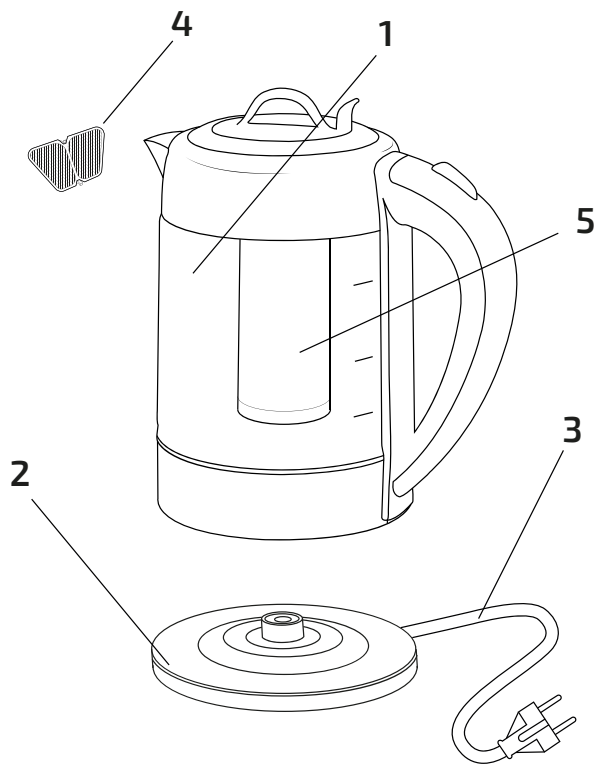


Fig./Img./Abb./Afb./ Rys./Obr. 1

www.cecotec.es

Grupo Cecotec Innovaciones S.L.
C/ de la Pinadeta s/n, 46930
Quart de Poblet, Valencia (Spain)

IC02210203